



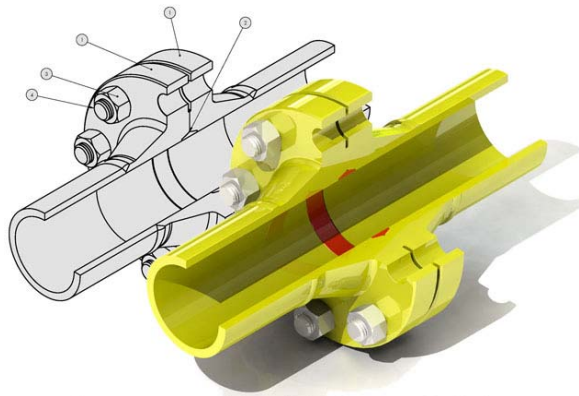
MIB

*Engineering
Design
Experience
Expertise*

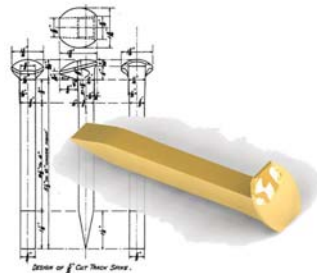
MIB Engineers

3D Cad Solutions

- ◆ MIB Engineers offer cutting edge 3D solid modeling and conversion.
- ◆ Convert your existing Drawings to 3D models or images.
- ◆ Produce models from PDF, AutoCad or even paper prints. Files can be in any common format.
- ◆ Electronic Drawings produced on your existing drawing template.



A Photorealistic model can be made from a line drawing. The model can be placed in any virtual environment that is provided to us by the customer and shown under any desired lighting conditions. Shadows can also be added as in this example.



A model can be produced from any sufficiently detailed drawing and rendered in any color and finish. For example this rail spike produced from a 1921 drawing and shown in polished gold.



Models can be made from drawings OR drawings made from models, whatever the customer requires. Assembly bills can be on the sheet or in Excel format.

Call MIB for all your 3D design and engineering consulting needs.

MIB Engineers

20333 S. Hwy 249
Suite 200
Houston
TX 77070
USA
www.mibengineers.com

Ph: 713-259-3301
Fx: 713-609-9258
e-mail:
info@mibengineers.com